

NEBS-compliant rack-mounting for your security device

The rail kit includes the following components:

- Two front-mount brackets for a 1U device
- Two front-mount brackets for a 2U device
- Two front-mount seismic brackets for a 1U device
- Two front-mount seismic brackets for a 2U device
- One package of 16 front bracket screws (Eight for each side)
- One package of 10 SEMS screws (Four for each side and two spare)

A NEBS-compliant installation is only supported using a front mount. For a four-post rack, use the slide rail brackets to mount the devices.

The following information describes a NEBS-compliant installation of a 2U device in a two-post rack; **the installation procedure for a 1U device would follow the same general steps.**

IMPORTANT: Do not attempt a two-post mount in a four-post rack. For four-post racks, use the slide rails.

To mount your device in a two-post rack for NEBS compliancy

1. Align the two front rack-mounting brackets (the larger, blue bracket shown in [Figure 1-1](#)) to the chassis holes according to your front mount requirements.
2. Secure the brackets to the chassis using the flat-head screws (eight on each side) that came with the kit.

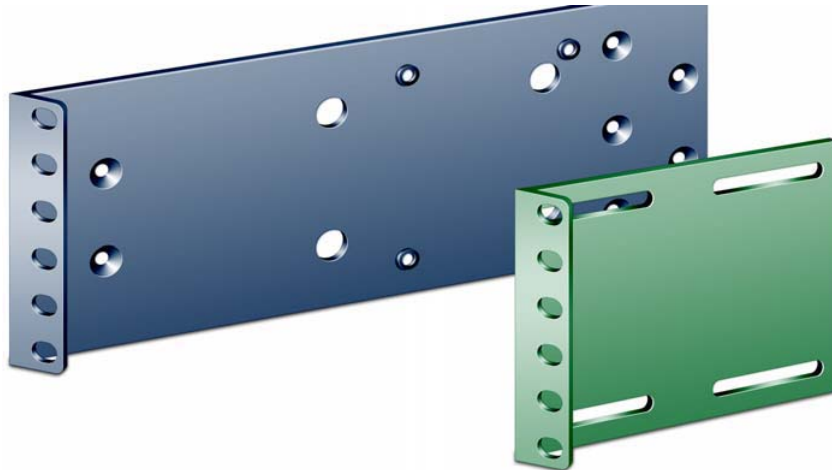


Figure 1-1 2U NEBS-compliant front-mount bracket (left, blue) and optional seismic bracket (right, green)

NOTE: NEBS-compliant brackets for a 1U device are proportionally smaller than the ones in [Figure 1-1](#).

3. Secure the rack-mounting ears into the holes of the front rack post with screws (two screws required on each side, not included).

Use [Figure 1-2](#) as a guide for how the front rack-mounting brackets are attached to the appliance and to the rack in a front mount.

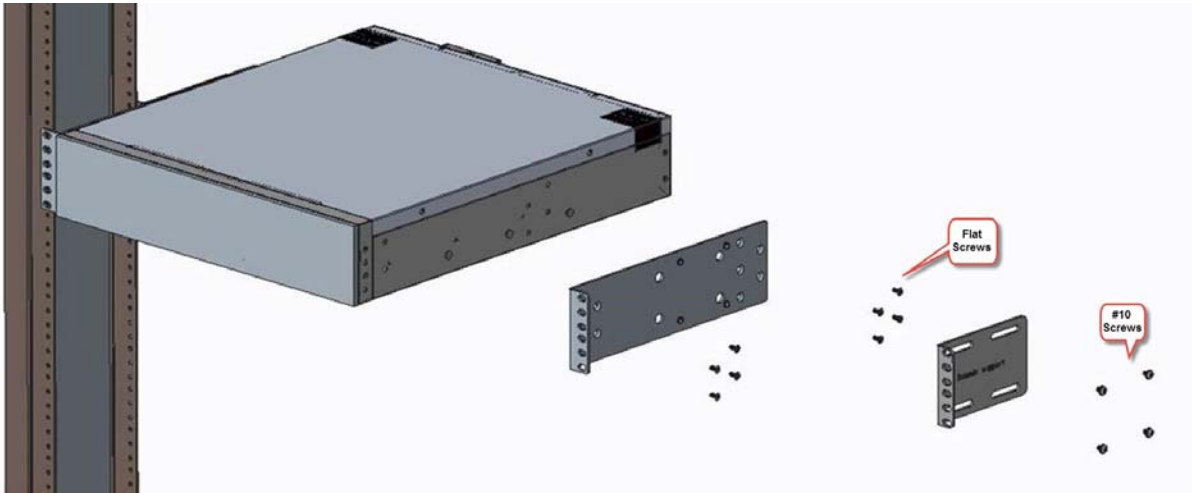


Figure 1-2 2U chassis with front mounting in a two-post rack

4. For extra support against seismic vibrations, you can secure an additional bracket (the smaller bracket shown in [Figure 1-1](#) and [Figure 1-2](#)) to each of the rack-mounting ears.

The seismic brackets accommodate two-post racks that are 5 - 6 inches deep. After securing the chassis to the rack with the standard rack-mounting ears, loosely mount the seismic brackets into the holes of the rack-mounting ears with the provided SEMS screws (four on each side, included). Then secure the seismic brackets to the rear rack post with screws (2 on each side are required, not included). Finally, tighten all screws, including the SEMS screws that fasten both pairs of brackets together. Refer to [Figure 1-3](#).

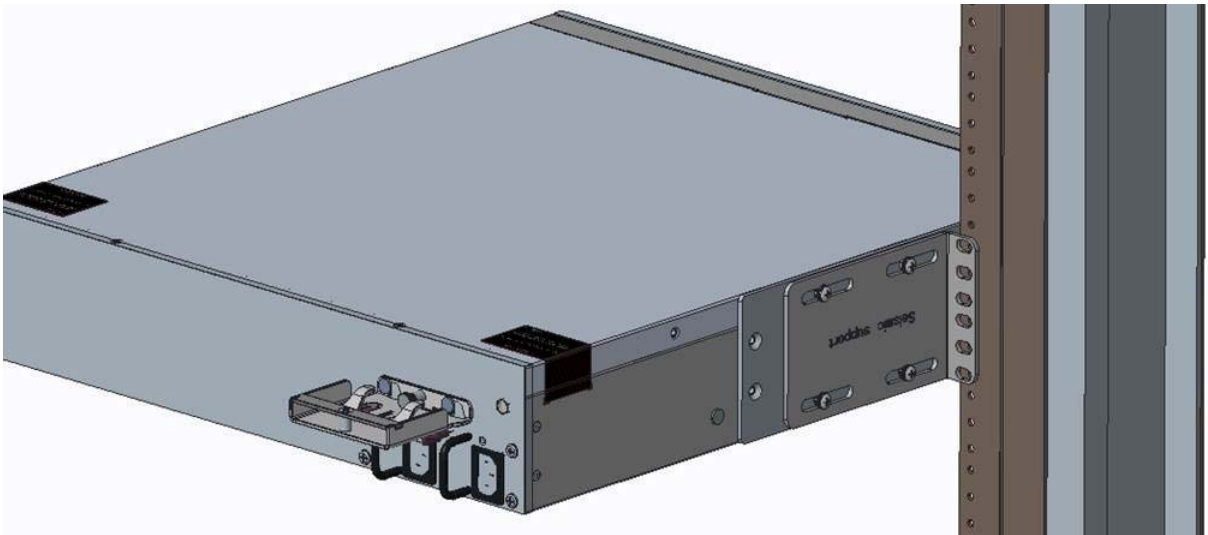


Figure 1-3 2U chassis with reinforced mounting in a two-post rack, rear view

© 2016 Trend Micro Incorporated. All rights reserved. TippingPoint, the TippingPoint logo, and Digital Vaccine are trademarks or registered trademarks of Trend Micro Incorporated. All other company and/or product names may be trademarks or registered trademarks of their respective holders.

Part Number: 5200-1086, Rev A3

